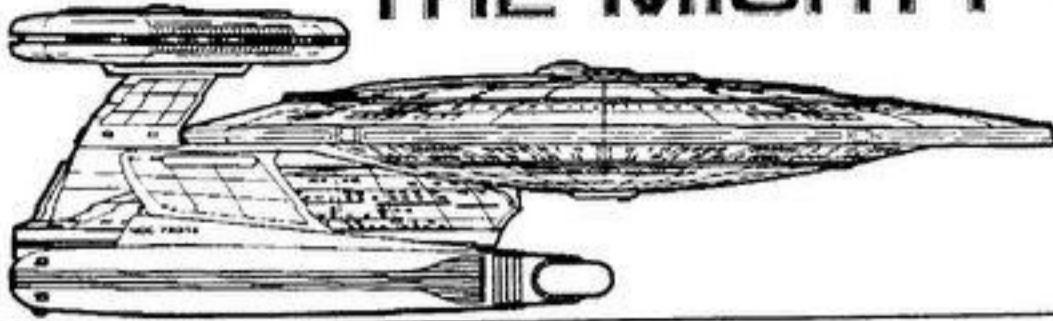


THE MIGHTY MAX



A Publication of the USS MAXIMILLIAN, NCC-72016

January / February 1997

Resistance

is

Futile

Not !!!

for

USS Maximillian



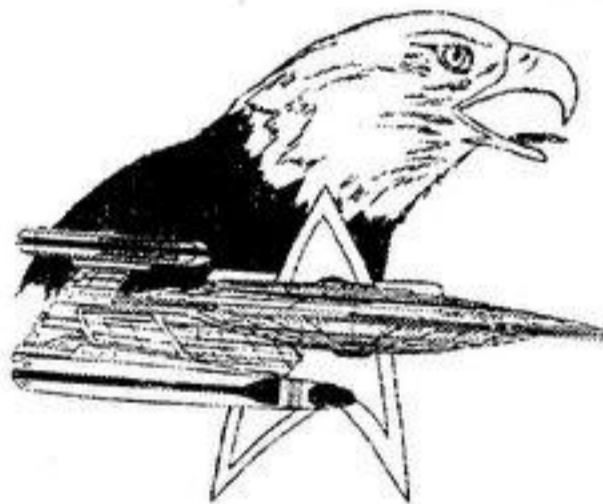
MIGHTY MAX is the monthly newsletter of the USS MAXIMILLIAN an independent fan association. This is only a fan publication, not to infringe upon any copyrights held by Paramount Pictures or any of its licenses

The Mighty Max Newsletter is published bimonthly for The U.S.S. Maximillian a Star Trek Fan Club. Everyone may submit Art, Photos, and Articles to our newsletter.

All submissions can be sent to:

Wesley Kincaid
4732 Larkhall Ln.
Columbus, Oh. 43229
or
mkincaid@sprynet.com

The U.S.S. MAXIMILLIAN meets the 2nd Sat. of each month in the front meeting room of the Whetstone branch of the Columbus Metropolitan Library.
Meetings usually last an hour or two followed by an "AFTER CHAPTER ACTIVITY".



Executive Staff:
Commodore Matt Morris
Commander Elaine Jackson

Commanding Officer
First Officer

Recruiting Drive
at
First Contact



Commodore on Bridge I



Commodore Matt Morris
6028 Darby Lane
Columbus, Oh 43229

Rush Dated Material

CAPTAINS LOG:
COMMADORE MATT MORRIS

Greetings folks and a Happy New Year to one and all. Yes another year has gone. It has been a good year on the Mighty Max, we've done a lot of different thing this year, but we ended it the best way we could, By helping out others, which is one of the main reasons we are here. I would like to thank the away team consisting of Robin, & Tom, Elaine, & family, and Cynthia. (I myself would have been there myself but a prior commitment kept me from attending) for delivering the donations to the Adopted Family. An extra special thanks goes to Robin for doing all the foot work on finding this family. Way to go Robin.

Next is the year ahead. We have a lot coming up, Dover, Marcon, Max Olympics, and as always Recruiting. We have had a good attendance at recruiting, keep up the good work. Speaking of recruiting I am in contact with Glengary Movie Theater to set up at the second run of First Contact, and of course Star Wars. More details to come. The Admiral and me self are still working on Action wear and the Patch. Well that is it for now until next time, same Bat time same Bat channel.

**CHIEF ENGINEERS LOG:
LT. TERRY A. MCPHERSON**

Happy New Year to the Commodore & Crew. I apologize for not attending the Christmas party, but I was suffering from the Cardassian flu. The Doctor has, however, given me a clean bill of health.

I have also done some repairs on the food replicators, and they are working 100% ! My apologies for taking so long. I have also received a new shipment of thirty Quantum Torpedoes, more than a match for the Borg or the Marquis !

Everything else is working fine. well, its time for me to log off. Until next time;
Live Long and Prosper,
Lt. Terry A. McPherson

**INTELLIGENCE REPORT:
CMDR. GREG "BLOBBIN"**

Hello Fellow Beings !

It is I, the great & never present Intelligence Officer, who bids you welcome ! I am writing this report to keep you up to date on the great intelligence gathering going on in Pittsburgh, Pa!

After months of covert activity in the great jungle of ruin I have learned that most people here are slow! I mean, their lives run at a snails pace where as we run at E-Mail pace quite fast.

As of this writing I have recruited one or two (not sure yet), new members to our nifty Starship ! Joy ! Unfortunately, due to local espionage I can not divulge there names at this time.

I found a Klingon, I talked to him & then I wanted to leave. He made our local Klingons look really, really, really cool ! We just got DS9 on our local Pittsburgh channels so now I can watch it. Joy !

Well, I must go continue to convert the locals - take care & God Bless.
Your ever humble Intelligence Officer.

Blobbin !

Dear Friends of Star Trek,

Hope all of you had a wonderful Christmas with family and friends and that it was a meaningful and somewhat relaxing time! Of course, I also hope that you received some special Star Trek gift. I received the new ST:TNG Trivia Book which should keep me busy for awhile. Ben received some First Contact action figures, which he was excited about. We didn't realize until he was playing with them that they are much bigger than the regular action figures.

The Sunday before Christmas, Robin, Tom, Eric, Elaine, Randy and family, and I had the joy of "taking Christmas" to a young woman with 2 children living near Children's Hospital. It was special knowing that she and the two children would be opening our presents and feeling that some people cared enough to make her Christmas brighter. Thanks to Robin for having the idea and arranging it!

I received the Perkins Observatory newsletter. They have many programs in 1997, so we can talk that over at a meeting and see if we want to go up as a group. They are also going to start a OWU/OSU Guest Night lecture series entitled "New Vistas Astronomy" one Thursday night a month. Ask me about it if you are interested.

When I attended Lagrange, I went to a workshop led by Marc Millis, who works at the NASA Lewis Research Center in Cleveland. He gave a wonderful talk about what scientists are currently exploring in regard to travel to the stars. It was fascinating even if I didn't understand it all. I wrote to him and he sent me some articles that I will share at a future meeting.

I guess that is all for the local news. I hope everyone has seen First Contact. It was a great improvement on ST:Generations. It also got great reviews in Columbus Dispatch, TV Guide, and People Magazine. Star Trek Communique had a nice behind-the-scenes article about First Contact. One thing that surprised me was that there was no mention of any Creation conventions in the magazine.

I also just read Cinescape magazine Nov.-Dec. 1996 edition. It has a nice article on First Contact, an interview with Patrick Stewart, and an article about Star Trek special effects.

There are at least two 30th Anniversary Magazines to purchase and enjoy: The Official Anniversary Magazine: Star Trek (Starlog magazine) and Star Trek: 30 Years, Special Collector's Edition (Viacom as agent for Paramount).

Other news: Mark Leonard died at the end of November of multiple myeloma. (I remember talking with him at Care Con.) Also, Patrick Stewart had a library dedicated to him in West Islip, New York. The library also includes memorabilia from Stewart's many other stage and film roles as well as Star Trek memorabilia.

Space news: The Mars Pathfinder was launched in November, carrying a 6-wheeled buggy to explore the Martian surface. It is scheduled to land July 4, 1997!

Well, that's all for now! Hope this winter will be mild as it is being so far!

Love long and rejoice always,

Cynthia Ayers

OPERATIONS REPORT:
CMDR. WESLEY KINCAID

Q'apla or Greetings from OPS

First off we are going to get from Starbase two Light Attack Craft to train our Fighter Pilots. The Federation light fighter was designed as a defensive weapon to counter fighters from the Gorn, Klingons, Romulans and Tholians. The Federation craft is generally equipped for planetary defense and has limited range, but is superior in speed and firepower when compared to most other fighters.

We can not be too careful with the USS Kitty Hawk being challenged by the Klingon Ship IKV Malevolent (to a can food drive that will end in the end of February). The Klingons are looking for Targets to destroy.

If any one can help out the Kitty Hawk with canned food they will be grateful.

We (Commodore Matt Morris) are starting a new Collectors Corner.

My favorite DS9 was Trials and Tribble-Ations.

That's it from OPS !

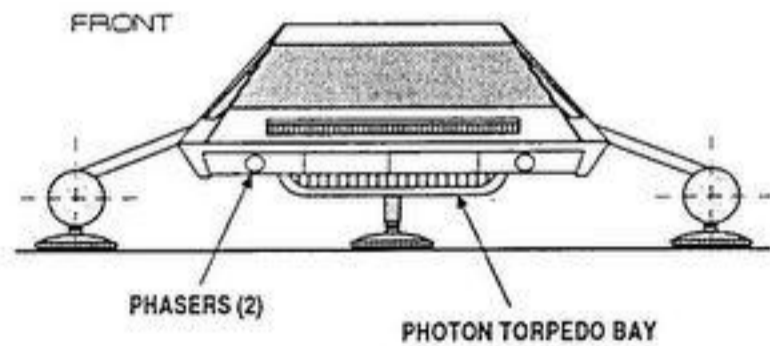
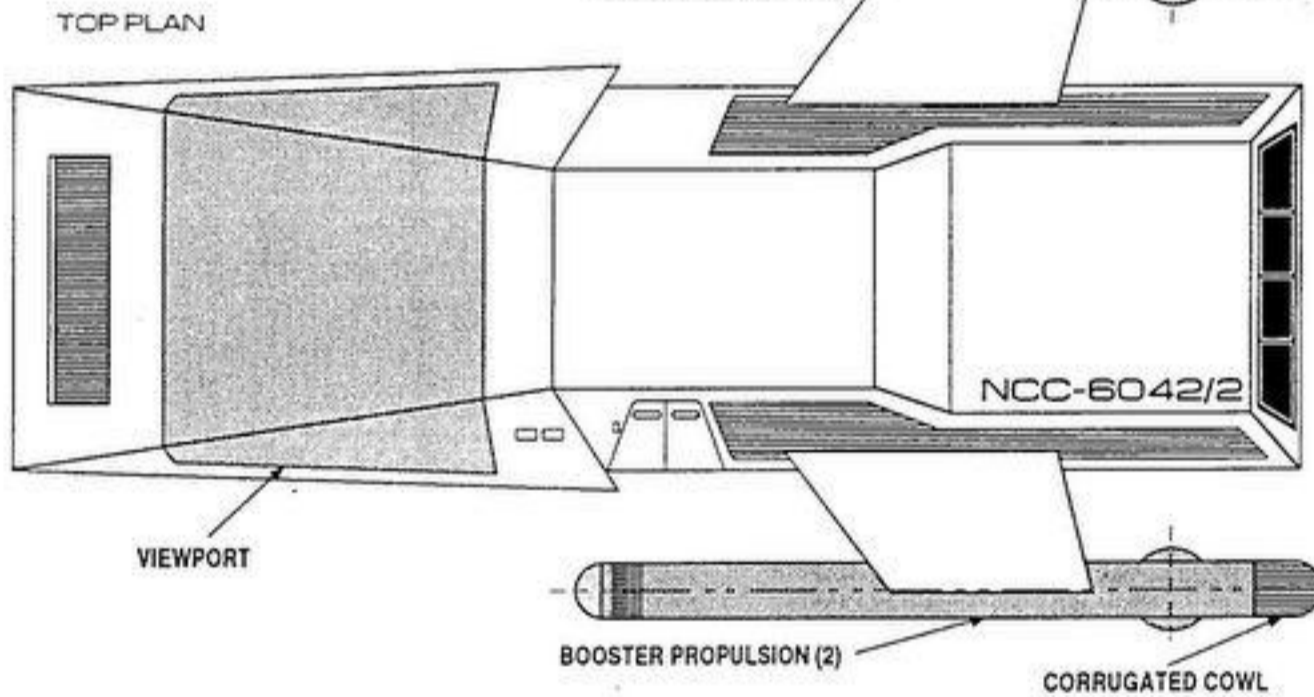
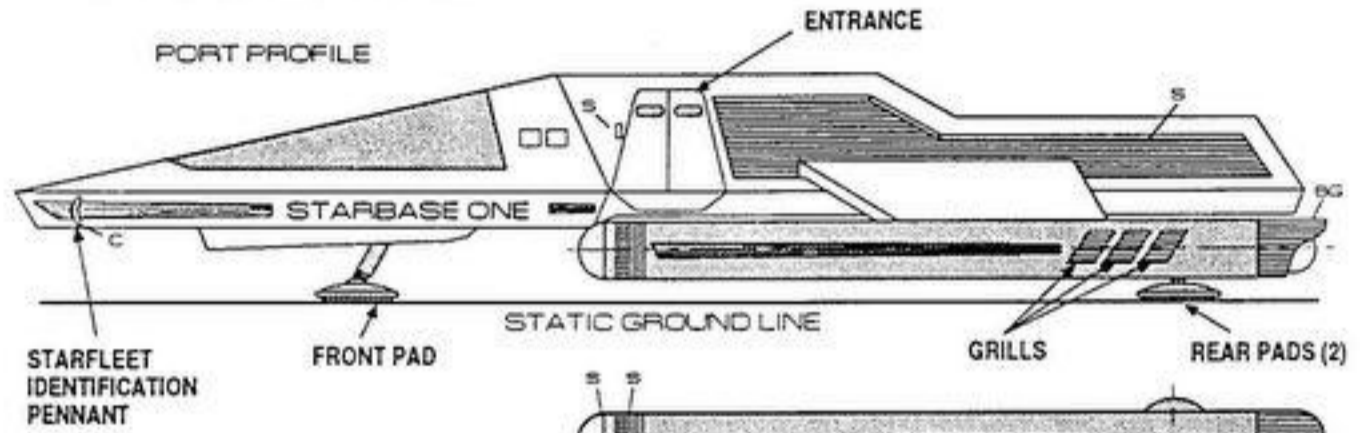
God Bless !

Wesley Kincaid

LIGHT FIGHTER

2 PERSON - EXTERNAL ARRANGEMENT

TYPE: SPCR 52C
 MK 8B
 80 5733



OFFICIAL COLORS:

PLATINUM	N ^o SF29UC
BG BLUEGRAY	N ^o SF31UC
C CORN	N ^o SF22UC
S SILVER	N ^o SF01UC
RED	N ^o SF10UC
IVORY	N ^o SF07UC
SKY BLUE	N ^o SF16UC
GRAY	N ^o SF30UC
BLACK	N ^o SF32UC

0 CM 1 2
 METERS

COLLECTOR CORNER

If you are thinking about starting to collect Star Trek Collectables, with the release of ST First Contact Movie and action figures, new starships, new phasers, and new posters. Now is a great time to start!

STAR TREK FIRST CONTACT



Captain Picard in Starfleet Spacesuit
The Borg - Lt. Commander Worf



**TAKE HOME ALL THE ADVENTURE,
ALL THE ACTION AND ALL THE EXCITEMENT!**



Borg Ship

The Borg are back and hurtling towards you at warp speed. Prepare to make contact with the new 6" action figures and ships from the latest

Star Trek feature film.

The *Star Trek: First Contact* line from Playmates. Join the collective.



Captain Jean-Luc Picard

Zefram Cochrane

**RESISTANCE IS FUTILE.
YOU MUST COMPLY.**

<http://startrek.first-contact.com> <http://startrek.msn.com> <http://www.playmates.com>



© 1996 Playmates Toys, Inc. All rights reserved.

COLLECTORS CORNER

Welcome one and all to a new Section of the Mighty Max, a little something Wes & myself cooker up called the Max Collector's Corner. Bringing you what is Hot in the Star Trek collectible market. With Wes and as my Sister once called me Captain Collectible. So here goes.

First off is the ever popular Playmate line sending out another wave of action figures.

The first wave of new 5 inch figures include Kern (Worfs brother) Gorn, Captain Sisko, Seska the Cardassian, Tom Paris mutated, Captain Kirk in an Environmental suit from Tholian Web. And yes more 9 in including Sulu, Q in Judges Robe, Dax and Sisko in Dress Uniform. Plus Obrian & Romulan.

There will be a Borg Queen in '97 but as of now has been said of which format she will appear.

Next up Decipher brings the long awaited 2 Player Customizable Card Game, They have the coveted license until the year 2000, Sky Box has the original series license. For those of you that know anything about Dungeons & Dragons you know of Dragon Dice well guess what now there are Star Trek dice, it's another type of R. Playing game retail \$ 14.99 a box. Well '97 brings a lot, but you will have to wait till next time to find out what.

Commodore Matt Morris

Photo's from DS 9's



TRIALS AND TRIB-ATIONS